

Intermediate
Bulk Containers



PRODUCT INFORMATION

Intermediate Bulk Containers (IBC) are used for the transport and storage of liquid and spontaneous material, as well as for the production of chemicals, food, cosmetics and pharmaceuticals.

Isimsan produces 500 to 3.000 liters of stainless steel intermediate bulk carriers depending on the design and the model.

The intermediate bulk containers produced from stainless steel have the advantage that they can be cleaned

quickly and easily after use and thus can be used repeatedly. Intermediate bulk containers can be moved through their own rollers, depending on usage and size, or also with forklifts or lifting devices, and can be stacked depending on the design. Last but not least, the IBC's can be designed and approved in accordance with the transport of hazardous materials on demand.

FEATURES

Sizes: 0,3 m³ - 3 m³

Forms: conical, cylindrical, rectangular

Material: stainless steel 1.4301 or 1.4307

Outlet door: individual sizes Ø 250 mm (or upon request)

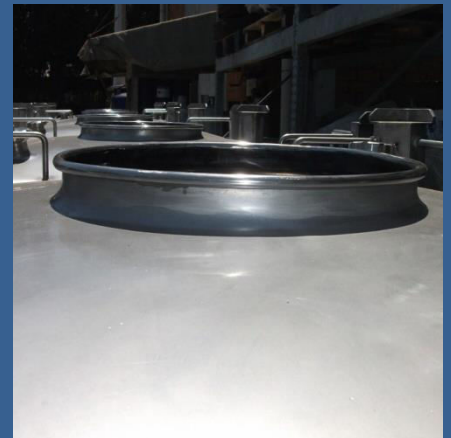
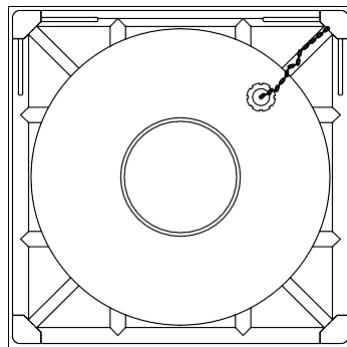
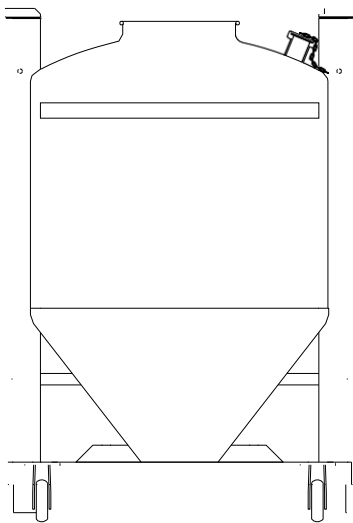
Surface outside / inside: brushed / polished (or upon request)



CONSTRUCTION DETAILS

OPTIONS

- Roles
- Pneumatic discharging
- Dust filter
- Eyeglass with lightning
- Butterflyvalve (manual or actuator)
- Bucket valve
- Cleaning nozzles
- Level sensors
- Load cell
- Vibration machine



CERTIFICATIONS

Isimsan manufactures according to the following International directives and regulations:

- CE 2006/42/EC (machinery directive)
- CE 2014/29/EU (pressure vessel directive)
- CE 2014/68/EU (pressure vessel directive)
- ATEX product line 2014/34/EU
- EHEDG hygiene guidelines
- GMP (Good Manufacturing Practices)
- FDA (U.S. Food and Drug Administration)
- EAC (EuroAsia Conformity)

Isimsan is certified in terms of quality management (ISO 9001), environmental standards (ISO 14001), welding technology and supervision (ISO 3834 & 14731).

2019

INTERMEDIATE BULK CONTAINERS

The table below refers to the standard performance of Intermediate Bulk Containers.
The standard performance include following components:

Sizes: 0,3 m³ - 3 m³

Material: stainless steel
1.4301 or 1.4307

Outlet door: individual sizes Ø 250 mm

Surface outside / inside:
brushed / polished

Net volume	Body Form	Weight	Measurements
liter		~ kg	W / L / H ~ (mm)
500	rectangular	160	1.000 x 1.000. 1.590
1.000	rectangular	194	1.230 x 1.230 x 1.590
2.000	rectangular	300	1.600 x 1.600 x 2.100
500	conical	185	1.230 x 1.230 x 1590
1.000	conical	225	1.550 x 1.550 x 2.050
2.000	conical	325	1.850 x 1.850 x 2.400
500	cylindrical	212	1.200 x 1.200 x 1.500
1.000	cylindrical	250	1.500 x 1.500 x 1.800
2.000	cylindrical	350	1.800 x 1.800 x 2.100

Isimsan designs according to customer specifications. This includes the choice of material, and as well of many other equipment options too.

For further informations please do not hesitate to come back to us.
We are there for you.



CERTIFICATIONS

Isimsan manufactures according to the following International directives and regulations:

CE 2006/42/EC (Machinery Directive)

EHDG (Hygiene Guidelines)

● CE 2014/29/EU (Pressure Vessel Directive)

● GMP (Good Manufacturing Practices)

● CE 2014/68/EU (Pressure Vessel Directive)

● FDA (U.S. Food and Drug Administration)

● ATEX product line 2014/34/EU

● EAC (EuroAsia Comformity)

● Isimsan is certified in terms of quality management (ISO 9001) enviromental standards (ISO 14001), welding technology and supervision (ISO 3834 & 14731).

ISIMSAN®

**OUR GLOBAL SALES REPRESENTATIVES
SUPPORT YOU ALL OVER THE WORLD.
E-MAIL: sales@isimsan.com.tr
PHONE: +90 232 8770582**