

ISIMSAN[®]
MIXER & PLANT ENGINEERING



● Rotating Wing Dust
Filter System

PRODUCT INFORMATION

The dust filter system is suitable for a wide range of manufacturing processes. The high-quality processing, the simple operation and a very efficient dust filter system meet the highest standards of quality and hygiene.

APPLICATIONS

- Food
- Animal feed
- Chemical
- Construction materials

DESCRIPTION

The dust filter system has a cylindrical shape with a downwardly conical dust collector. The material is made of stainless steel.

The heart of the system is a compressed air rotary wing system. This extremely efficient and quiet cleaning system consists of rotating blades, which rotate inside the dust filters and release the dust from the filter membranes with compressed air jets.

CERTIFICATIONS

Isımsan manufactures according to the following International directives and regulations:

- CE 2006/42/EC (machinery directive)
- CE 2014/29/EU (pressure vessel directive)
- CE 2014/68/EU (pressure vessel directive)
- ATEX product line 2014/34/EU
- EHEDG hygiene guidelines
- GMP (Good Manufacturing Practices)
- FDA (U.S. Food and Drug Administration)
- EAC (EuroAsia Conformity)

Isımsan is certified in terms of quality management (ISO 9001) environmental standards (ISO 14001), welding technology and supervision (ISO 3834 & 14731).



FILTER SYSTEM

The rotaring filter technology is an extremely efficient cleaning system which detaches the filter cake over the entire length of the filter cartridge.

FEATURES/FILTER SYSTEM

JET PULSE ROTATING WING

Material: stainless steel, aluminium, AISI 304

Air pulse rate: 1.5 s ~ 3 s

Pulse valve: Atex ex-proof

CARTRIDGE

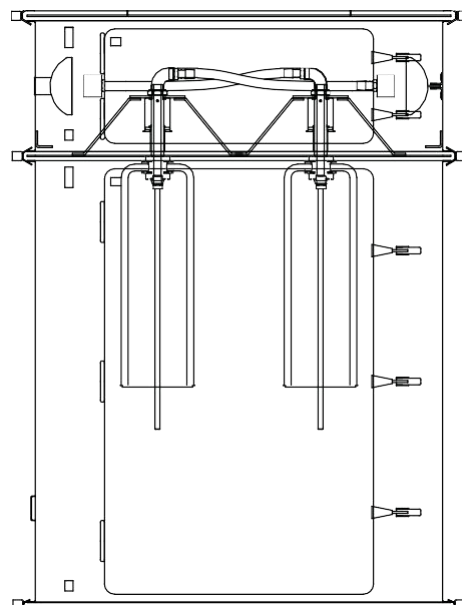
Material: 100% Polyester

Thickness (mm): 0.55 (+5)

Filter sensitivity: 20 to 33 μm

Air permeability: 170 l / m² * s

Measurements: Ø 320 L: 600

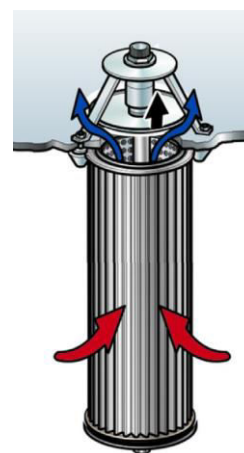


CHARACTERISTICS

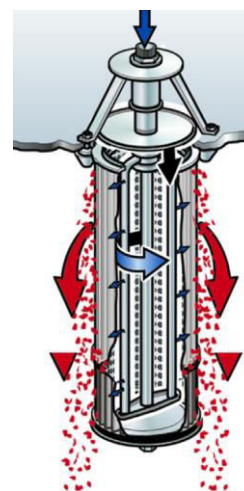
- Extremely efficient
- Uniform cleaning
- Low noise level
- Minimal compressed air consumption
- Worldwide distribution

OPTIONS

- Frame and platform
- Filter cake automatic discharging system
- Remote control

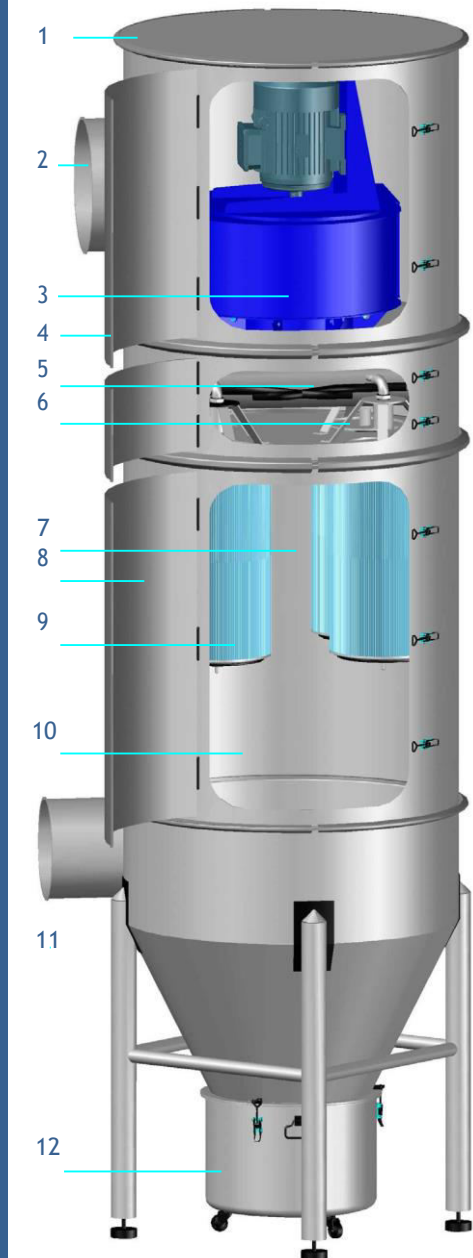


Cartridge



Jet Wing

CONSTRUCTION DETAILS



Housing material: AISI 304, stainless steel
 Surface: brushed, polished, mirror polished

Cleaning: jet wing
 Pulse duration: 1.5 s ~ 3 s

Wind speed: 33 m/s
 Min. partical sizes: >0,02 mm

Dimensions:
 Type A: Ø 980 mm, H 3.400 mm
 Type B: Ø 1.040 mm, H 3.600 mm

Volume Dust Bucket:
 Type A: 60 liters
 Type B: 70 liters

Air Volume:
 Type A: 2.500 m³/h
 Type B: 4.000 m³/h

- | | |
|----------------------|--------------------------|
| 1. Acoustic hood | 7. Untreated gas chamber |
| 2. Blow-out pipe end | 8. Maintenance door |
| 3. Fan | 9. Cartridge |
| 4. Maintenance door | 10. Dust section |
| 5. Clean air section | 11. Dirty air inlet |
| 6. Jet pulse wings | 12. Dust bucket |

ROTATING WING DUST FILTER SYSTEM

The table below refers to the standard performance of Rotating Wing Dust Filter System.

The standard performance include following components:

Jet Pulse Rotating Wing

Air pulse rate: 1.5 s ~ 3 s

Pulsevalve: Atexex-proof

Surface: brushed (outside),
polished (inside), AISI 304

Cleaning: jet wing

Pulse duration: 1.5 s ~ 3 s

Wind speed: 33 m / s

Min. partical sizes: >0,02 mm

Cartridge

Material: 100% Polyester

Thickness (mm): 0.55 (+5)

Filter sensitivity: 20 to 33 μm

Air permeability: 170 l / m²*s

Measurements: Ø: 320 L: 600

	Dimensions (mm)		Weight	Volume Dust Bucket	Air Volume
	Ø	H			
TYPE A	980	3.400	435	60	2.500
TYPE B	1.040	3.600	488	70	4.000

For further informations please do not hesitate to come back to us.

We are there for you.

CERTIFICATIONS

Isimsan manufactures according to the following International directives and regulations:

- CE 2006/42/EC (Machinery Directive)
- CE 2014/29/EU (Pressure Vessel Directive)
- CE 2014/68/EU (Pressure Vessel Directive)
- ATEX product line 2014/34/EU
- EHEDG (Hygiene Guidelines)
- GMP (Good Manufacturing Practices)
- FDA (U.S. Food and Drug Administration)
- EAC (EuroAsia Comformity)

Isimsan is certified in terms of quality management (ISO 9001) environmental standards (ISO 14001), welding technology and supervision (ISO 3834 & 14731).



**OUR GLOBAL SALES REPRESENTATIVES
SUPPORT YOU ALL OVER THE WORLD.**

E-MAIL: sales@isimsan.com.tr

PHONE: +90 232 8770582