

## Small Safety Sieves



# PRODUCT INFORMATION



Small Safety Sieve Systems protects industrial facilities from contamination and damage. Large particles are trapped by the safety sieve and are not transferred to the next material flow. The safety sieve can separate the agglomerates so that the next material flow runs smoothly.

## APPLICATIONS

- Food
- Animal feed
- Fertilizers
- Chemicals
- Pharmaceuticals
- Building materials

## DESCRIPTION

Isimsan is producing safety sieves in one size class. The small sieve system is robust and easy to handle. The vibration sieve system is considering high hygiene standards and includes dust exproof engines.

## CERTIFICATIONS

Isimsan manufactures according to the following International directives and regulations:

- CE 2006/42/EC (machinery directive)
- CE 2014/29/EU (pressure vessel directive)
- CE 2014/68/EU (pressure vessel directive)
- ATEX product line 2014/34/EU
- EHEDG hygiene guidelines
- GMP (Good Manufacturing Practices)
- FDA (U.S. Food and Drug Administration)
- EAC (EuroAsia Conformity)

Isimsan is certified in terms of quality management (ISO 9001) environmental standards (ISO 14001), welding technology and supervision (ISO 3834 & 14731) and control technology (2006/42/EC).





## CONSTRUCTION DETAILS

The construction of safety sieve systems can be performed in compliance with customer specific requirements. Sieve tests and analyzes can be done at Isimsan's technical center.

### FEATURES

**Separating parts:** top cover, body, sieve, seals, clamps, engine

**Material:** stainless steel 1.4301 (others upon request)

**Surface:** brushed, polished, mirror polished

**Body size:** 1.300 x 1.415 x 1.290 mm (others upon request)

**Screen form:** circle

**Size:** Ø 780

**Screen area:** 0.48 m<sup>2</sup>

**Screen mesh:** 0,15 - 5,35 mm

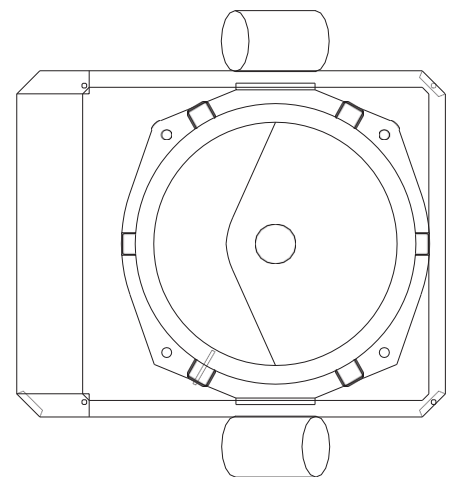
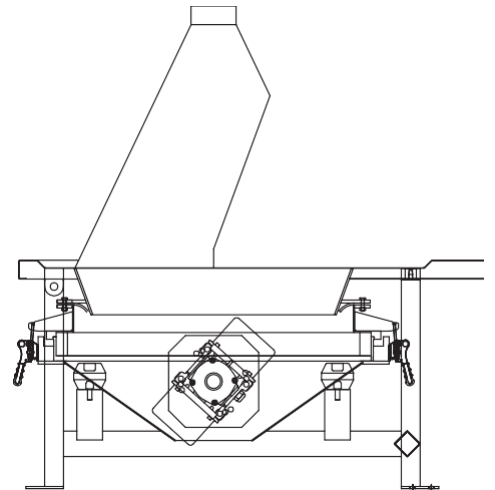
**Number of screens:** 1

**Vibrating engine:** 2 x at the side

**Power:** 2 x 0,28 kw

**Hertz:** 50

**Gas piston:** 2 x 53 cm / 430 newton



### OPTIONS

- Pneumatic valves
- Magnet boxes



2019



## SMALL SAFETY SIEVES

**Material:** stainless steel 1.4301

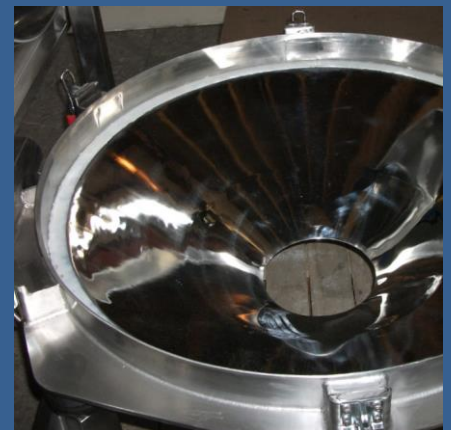
**Surface:** brushed (outside),  
polished (inside)

**Screen form:** circle

Screen Size	Diameter Screen	Weight	Vibration Machines	Drive
m <sup>2</sup>	mm	kg	number	kW
0,5	~ 800	130	2	0,28

Isimsan is designing safety sieves individually according to customer specifications. This includes the choice of material, of drive models, of feeding and discharging systems and as well of many other equipments too.

Further informations you can find in our brochure or come back to us. We are there for you.



## CERTIFICATIONS

Isimsan manufactures according to the following International directives and regulations:

- CE 2006/42/EC (Machinery Directive)
- CE 2014/29/EU (Pressure Vessel Directive)
- CE 2014/68/EU (Pressure Vessel Directive)
- ATEX product line 2014/34/EU
- EHEDG (Hygiene Guidelines)
- GMP (Good Manufacturing Practices)
- FDA (U.S. Food and Drug Administration)
- EAC (EuroAsia Comformity)

Isimsan is certified in terms of quality management (ISO 9001) environmental standards (ISO 14001), welding technology and supervision (ISO 3834 & 14731) and control technology (2006/42/EC).

**ISIMSAN**<sup>®</sup>

**OUR GLOBAL SALES REPRESENTATIVES  
SUPPORT YOU ALL OVER THE WORLD.**

**E-MAIL: [sales@isimsan.com.tr](mailto:sales@isimsan.com.tr)**

**PHONE: +90 232 8770582**