

## Vacuum Belt Filter



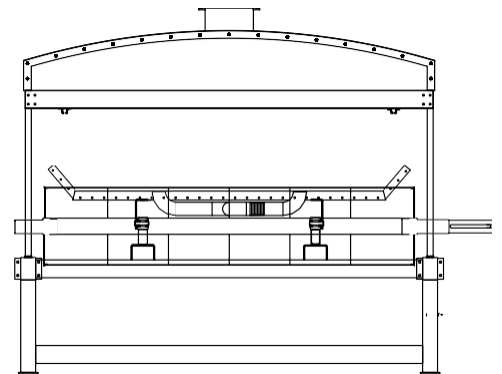
## PRODUCT INFORMATION



Vacuum belt filters are continuous running horizontal filters that separate precipitated solids from suspensions through a vacuum. They are distinguished by good filter performance, efficient solid substance washing and easily cleaned filter media. These filters are suitable for separating suspensions having a particle size of 3 to 40% solids with a particle size of 7 -150 $\mu$ m.

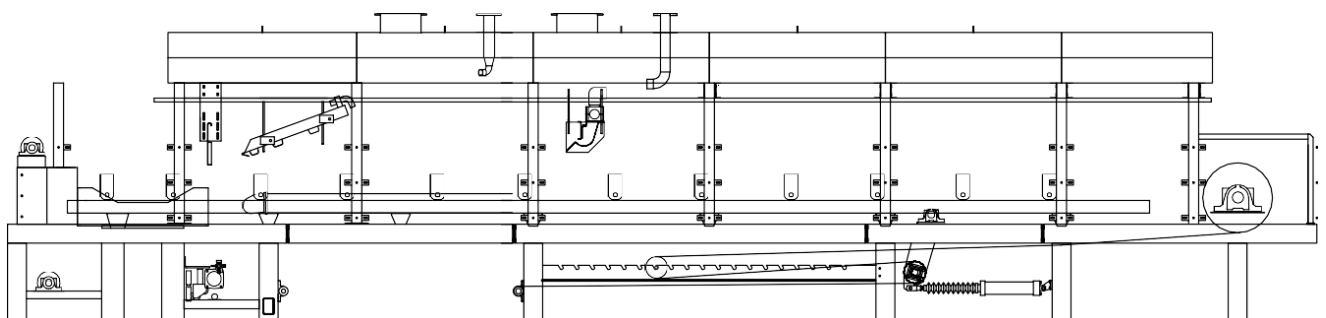
## APPLICATIONS

- Environmental industry
- Mineral and mining industry
- Chemical industry



## DESCRIPTION

İsimsan vacuum belt filters consists of a continuously moving elastic transport belt which is passed between two deflection rollers and forms a tubular channel on the surface through side bars. Asynchronously in the channel, an infinite filter cloth moves back through the cylinders separated on the bottom. The belt is evenly suspended at the beginning. The filtrate is sucked through the filter cloth by means of an applied vacuum and then drained. The solid remains on the filter cloth and forms the filter mud. The filter cloth is separated from the conveyor belt at the rear deflector roller at the end of the belt. The conveyor belt returns to the front deflection cylinder. The filter cloth is transferred to another cylinder, where it is deflected and the filter sludge is discarded. Then the filter cloth is washed and taken back.





## CONSTRUCTION DETAILS

### FEATURES

<b>Sizes (length/width):</b> 8 m - 16 m / 2 m - 3,5 m (or upon request)
<b>Material frame:</b> AISI 304 stainless steel (or upon request)
<b>Surface frame:</b> brushed
<b>Material belt cleaning:</b> AISI 316 stainless steel (or upon request)
<b>Material tensioning unit (except pistons):</b> AISI 316 stainless steel (or upon request)
<b>Material belt drum &amp; rollers:</b> AISI 316 covered with nitrile rubber
<b>Filtration element:</b> PVC or PP made dual layer filter mesh with AISI 316 reinforcements ( or upon request)
<b>Filtration size:</b> 7 µm - 150 µm
<b>Drum Gear box:</b> Yilmaz brand (or upon request)
<b>Drive:</b> ABB brand (or upon request)
<b>VFD unit (speed control):</b> Mitshubishi brand (or upon request)
<b>Electrical panel:</b> included



Isimsan designs according to customer specifications. This includes the choice of sizes, filtration elements and much more other technical equipments.

For further informations please do not hesitate to come back to us. We are there for you.

### CERTIFICATIONS

Isimsan manufactures according to the following International directives and regulations:

- CE 2006/42/EC (machinery directive)
- CE 2014/29/EU (pressure vessel directive)
- CE 2014/68/EU (pressure vessel directive)
- ATEX product line 2014/34/EU
- EHEDG hygiene guidelines
- GMP (Good Manufacturing Practices)
- FDA (U.S. Food and Drug Administration)
- EAC (EuroAsia Comformity)

Isimsan is certified in terms of quality management (ISO 9001), environmental standards (ISO 14001), welding technology and supervision (ISO 3834 & 14731) and control technology (2006/42/EC).

**OUR GLOBAL SALES REPRESENTATIVES  
SUPPORT YOU ALL OVER THE WORLD.  
E-MAIL: [sales@isimsan.com.tr](mailto:sales@isimsan.com.tr)  
PHONE: +90 232 8770582**